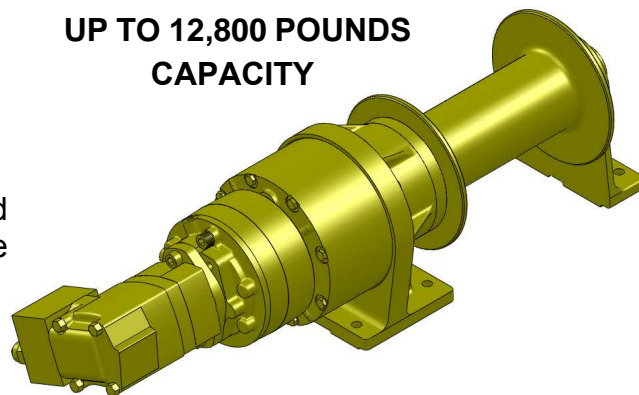


Series LS20K

Hydraulic Planetary Cable Winches

Lift-Safe® hydraulic winches are specifically designed for lifting applications and optimum load control. Engineered for enhanced safety with redundant braking systems, and available in a variety of configurations. Lift-Safe® winches utilize the **DUET-SAFE® Double Action Braking System** to provide both static and dynamic braking. **Series LS20K** direct drive winches are used for industrial pulling and hoisting applications, fishing boats, marine craft, drill rigs, small cranes, factory material handling and rear load waste handlers.

Powerful Fast
UP TO 12,800 POUNDS
CAPACITY



Lift-Safe® Hydraulic Cable Winches – Standard Features

- | | |
|-----------------------|--|
| MOTOR-BRAKE | - DUET-SAFE® Double Action Braking System combines a powerful spring applied, hydraulic released motor-brake with a double counter balance brake valve to automatically hold loads when hydraulic pressure is released and control speed during lowering operations. Winch is ideal for high speed lifting and pulling applications or wherever load holding is critical. |
| GEAR CASE | - Made of high strength cast iron and steel. Completely sealed for oil enclosed operation and to keep dirt out. |
| PLANETARY GEAR | - High Efficiency Double Reduction – Rugged - Built to Last. |
| GEAR RATIO | - 17:1 standard. |
| BEARINGS | - Drum Shaft is supported by two heavy duty oil lubricated bearings in gear case, and one permanently sealed ball bearing in end housing. |
| DRUM SHAFT | - 1-1/2" diameter heat-treated alloy steel minimum tensile strength 150,000 psi. |
| CABLE DRUM | - Tough all steel construction resists breakage or warping. |



Series LS20K Model Selection from Performance Data

MODEL EXAMPLE: LS20K-6.2M-L8-17

LS20K = Lift-Safe® Series LS20K
with 1-1/2" Drum

K = Fail-Safe Brake with
Separate Motor

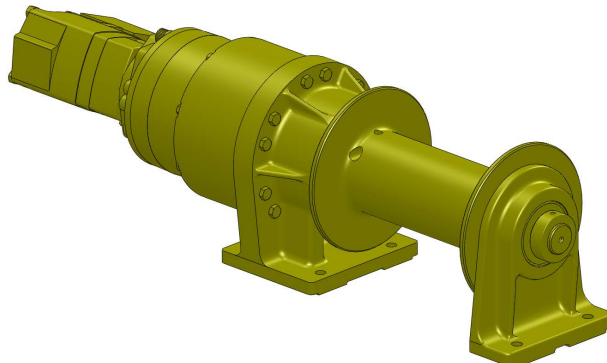
Hydraulic Motor Designation
4.9M, 6.2M

Gear Ratio
17:1

Drum Designation
S8, L8, XL10, XL12 & XL14
With 4" core

DRUM CAPACITY

CABLE DIAMETER (IN.)	1/4	5/16	3/8	7/16	1/2
DRUM "S8" CAPACITY (FT.)	260	160	105	75	55
DRUM "L8" CAPACITY (FT.)	390	240	160	110	80
DRUM "XL10" CAPACITY (FT.)	840	550	340	250	170
DRUM "XL12" CAPACITY (FT.)	1320	840	580	380	280
DRUM "XL14" CAPACITY (FT.)	1900	1180	760	540	410



Lift Safe® Planetary Cable Winches

Series LS20K W/ 4" Core

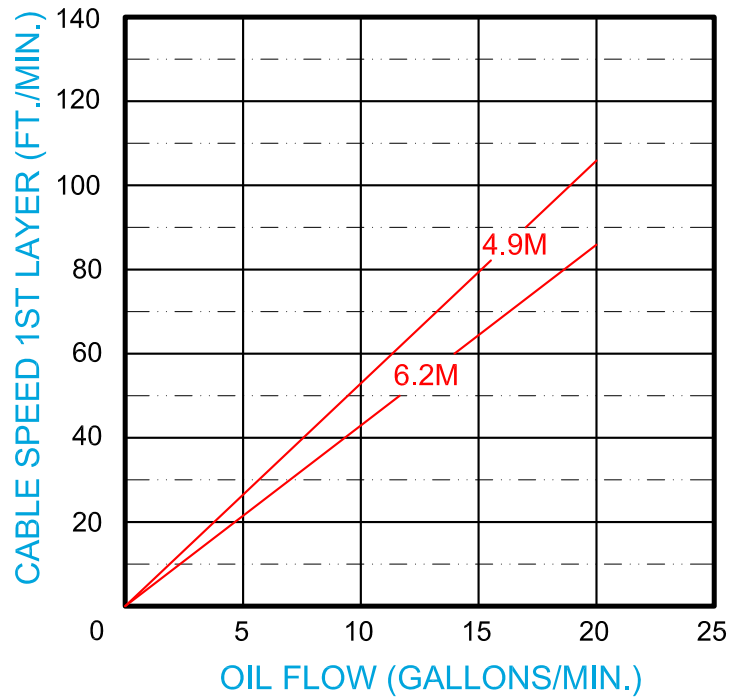
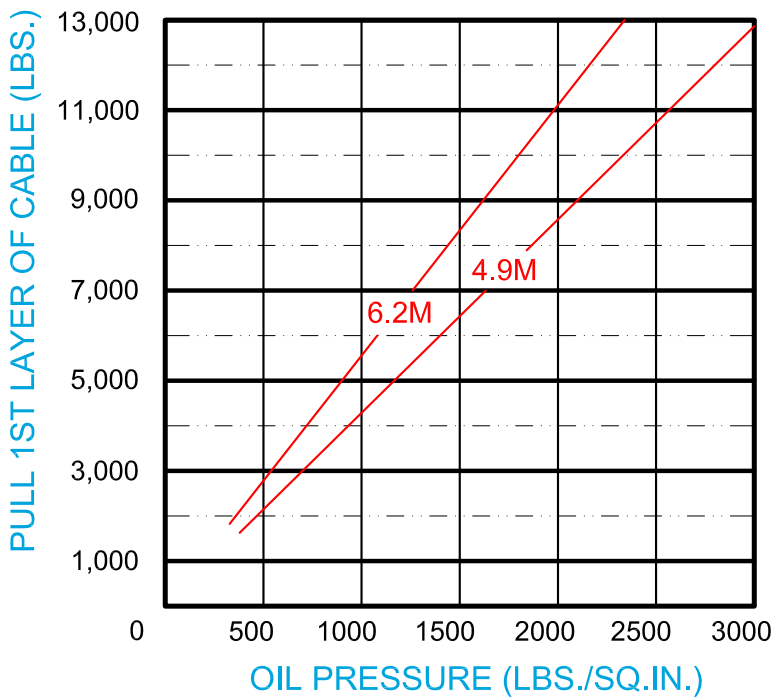
With Hydraulic Fail-safe Brake

Model Selection from Performance Data



"Quality Since 1910"

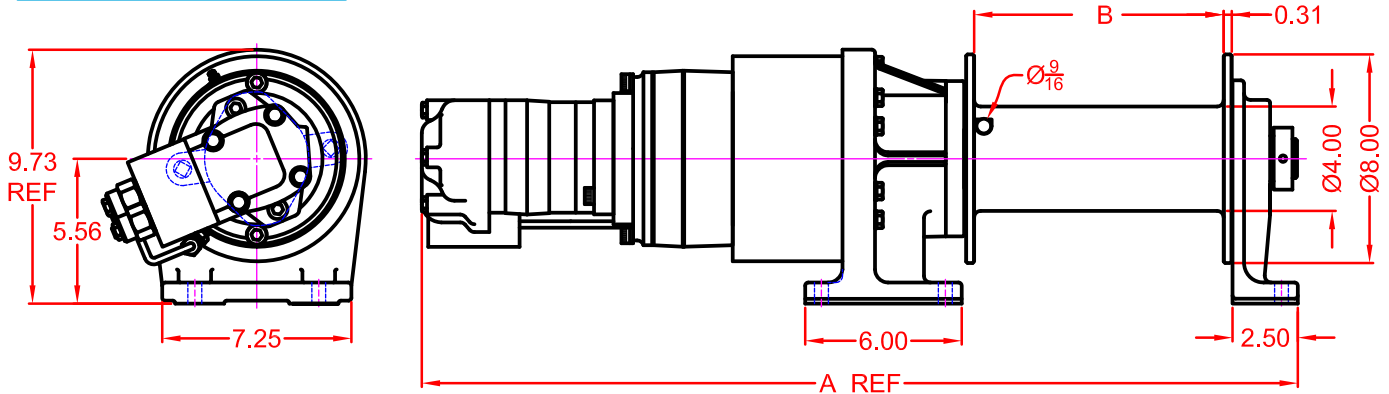
17:1 RATIO



Dimensional Drawings

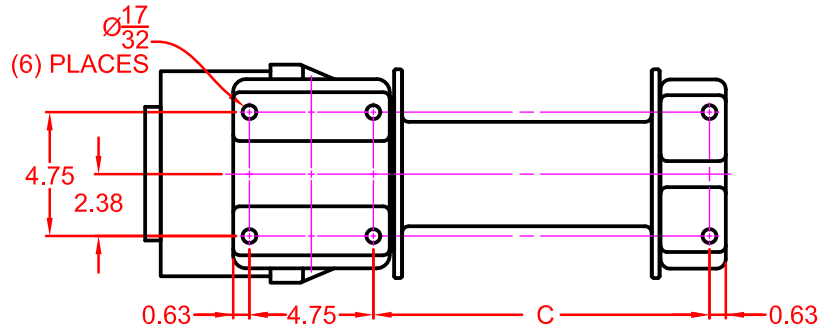
Series LS20K K JH S8 UbX @, XL10, XL12 and XL14 8 fi a
Base Mount Model - Direct Drive

With S8 & L8 Drum

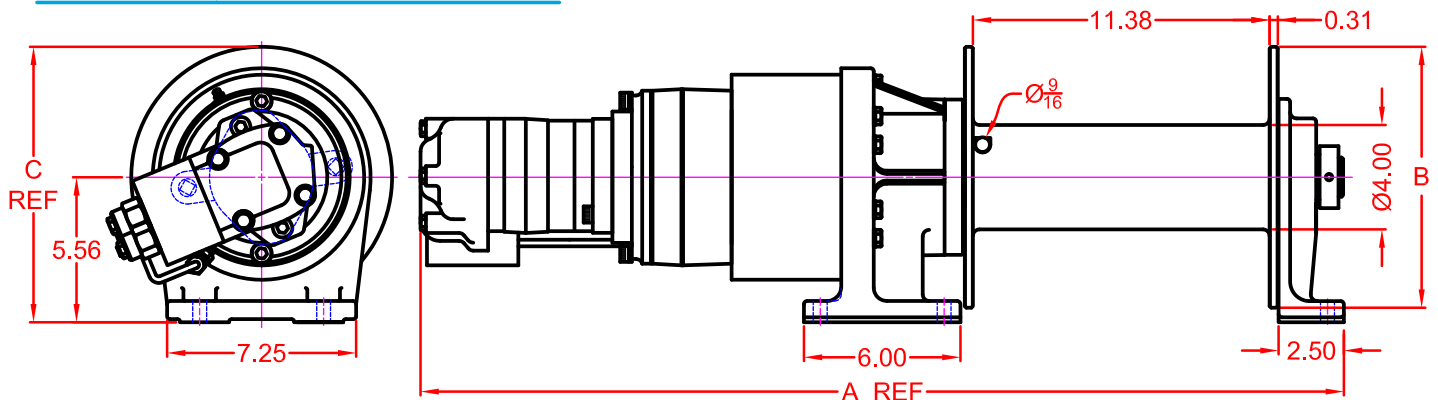


MOTOR DESIGNATION	A DIMENSION	
	4.9	6.2
S8 DRUM	30.40	30.58
L8 DRUM	33.40	33.58

DRUM DESIGNATION	WINCH DIM.	
	B	C
S8	6.56	9.88±.06
L8	9.56	12.88±.06

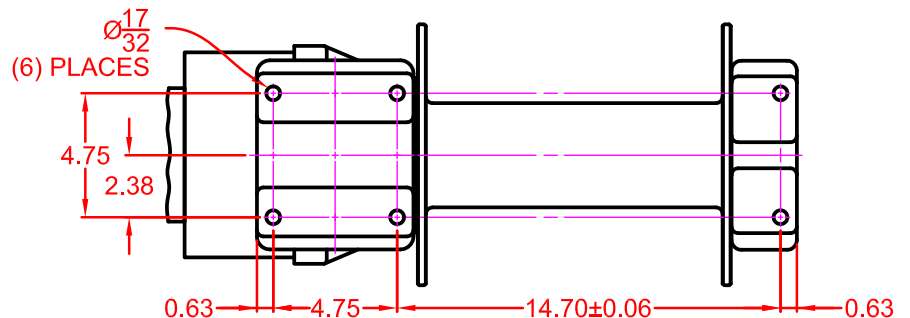


With XL10, XL12 & XL14 Drum



MOTOR DESIGNATION	4.9	6.2
A DIMENSION	35.21	35.39

DRUM DESIGNATION	WINCH DIM.	
	B	C
XL10	10	10.56
XL12	12	11.56
XL14	14	12.56





LS20K Series Model Selection

4.9M MOTOR

LS20K-4.9M-S8-17

LS20K-4.9M-L8-17

LS20K-4.9M-XL10-17

LS20K-4.9M-XL12-17

LS20K-4.9M-XL14-17

6.2M MOTOR

LS20K-6.2M-S8-17

LS20K-6.2M-L8-17

LS20K-6.2M-XL10-17

LS20K-6.2M-XL12-17

LS20K-6.2M-XL14-17

LIFT-SAFE®

Correct choice of Directional Control Valves for Lift-Safe® Winches

All **Lift-Safe®** Winches require a **Motor Spool Control Valve**.

That is the valve's work ports are **open** to tank in neutral position.

*Winches require ridged mounting plate.
See owner's manual for information about proper mounting plate thickness or call Bloom Sales Engineer at factory

WARNING!

Goods are not intended for use in the moving or lifting of persons!

The winches described herein are neither designed nor intended for use or application to equipment used in the lifting or moving of persons and it is understood that all such use shall be at the sole risk of the user.

The cable clamps on winches are not designed to hold rated loads. A minimum of 5 wraps of cable must be left on drum barrel to guarantee holding of rated load.

Applications of winch where life would be endangered by any event are not recommended.



BLOOM Manufacturing Inc. **Winch Division**

1443 220th Street,, Independence, Iowa 50644

FAX 319-827-1140 PHONE 319-827-1139